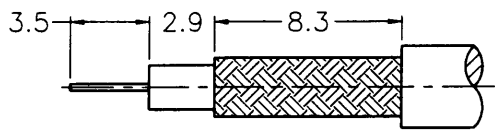


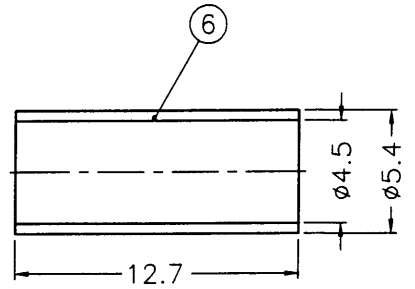
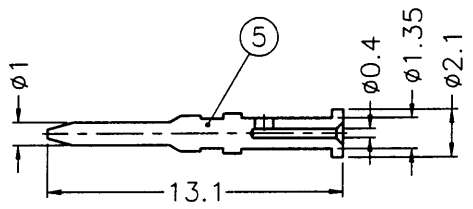
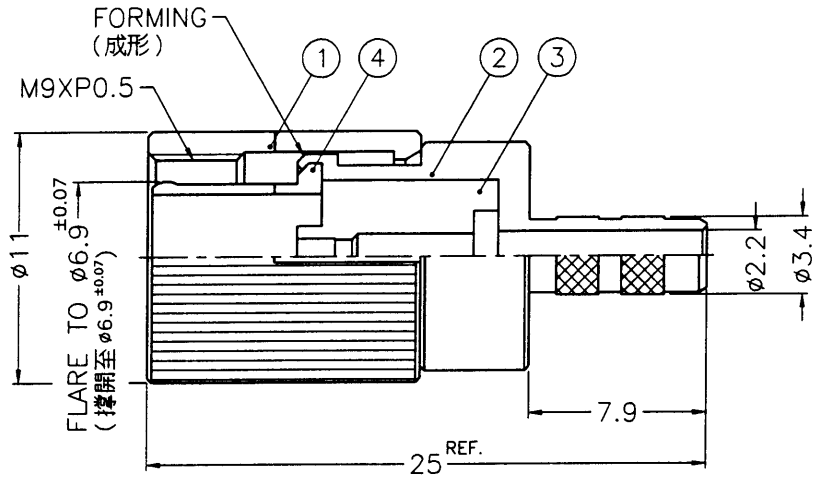
1 2 3 4 5 6 7 8

REVISIONS		
ISS	ZONE	DESCRIPTION\PER REQUEST\DATE

業務部



RECOMMENDED  
CABLE STRIPPING DIM'S  
(建議剝線尺寸)



- NOTES: FINISH (PLATING THICKNESS IN MICRO-INCHES)
1. BRASS PER QQ-B-626
  2. NICKEL PL. 100 MIN. THICK OVER COPPER STRIKE
  3. PHOSPHOR BRONZE PER QQ-B-750
  4. GOLD PL. 3 MIN. THICK OVER NICKEL PL. 100 MIN. THICK OVER COPPER STRIKE
  5. TEFLON MIL-P-19468
  6. JIS H3250, C 2700

出圖  
89.6.27  
設計部

1. CRIMPED FERRULE  
HEX CRIMP SIZE .178"
2. CRIMPED CONTACT PIN  
SQ. CRIMP SIZE .043"

NO.	DESCRIPTION	MATERIAL	FINISH	Q'TY	DRAWING NO.
6	FERRULE	NOTE 6	NOTE 2	1	FR-54/45X127
5	CONTACT PIN	NOTE 1	NOTE 4	1	1561121A1-5-21/04
4	OUT CONTACT	NOTE 3	NOTE 4	1	1561121G1-2
3	INSULATOR	NOTE 5	NATURAL	1	1561121A1-3T-75
2	BODY	NOTE 1	NOTE 2	1	1561121A1-2-34/22
1	SHELL	NOTE 1	NOTE 2	1	1561121G1-1-B

DIMENSIONS ARE IN MILLIMETERS			
UNLESS OTHERWISE SPECIFIED TOLERANCES			
0.5-6	=	±0.2	
6-30	=	±0.4	
30-120	=	±0.6	
120-315	=	±1	
315-1000	=	±1.6	
1000-2000	=	±2.4	

PART NO.	
APPROVED	DATE 06-22-00'
CHECKED	DATE 06-22-00'
DRAWN	DATE 06-22-00'

Amphenol - Kai Jack	
TAINAN TAIWAN	
TITLE	1.6/5.6 CRIMP PLUG (FOR BT3002 CABLE)
DRAWING NO.	KJ-1561121A1-N/3GT3G-BT3002-75
FILE NO.	F:\DWG\156\1121A1\BT3002\75\N3GT3G

Mark C  
Jackey  
Jackey

1 2 3 4 5 6 7 8 BRD-DR1939